

Cleaview

75, 100, 200, 280,
300, 500, 800



2+1
YEAR
GUARANTEE



Instruction version: 19/03/2015

www.aquaone.com.au

Important Safeguards

To guard against injury, basic safety precautions should be observed, including the following:

1. Read and follow all safety instructions and important notices in these instructions as well as on the product itself.

2. This appliance is not intended for use by children or infirm persons without supervision. Young children should be supervised to ensure that they do not play with the appliance.

3. To avoid possible electric shocks, special care should be taken since water is employed in the use of aquarium equipment. For each of the following situations do not attempt repairs yourself. Return the appliance to an authorised service facility for service or discard the appliance.

a. If the appliance or any electrical component of the appliance (non-immersible equipment only) falls into the water or gets wet, do not reach for it. Unplug it and then retrieve it.

b. If the appliance shows any sign of abnormal water leakage, immediately unplug it from the power source.

c. Carefully examine the appliance after installation. It should not be plugged in if there is water on parts which are not intended to be wet.

d. Do not operate the appliance if it has a damaged cord or plug, or if it is malfunctioning, or dropped or damaged in any manner.

4. A “drip loop” (see graphic) should be arranged for each cable connecting an aquarium to a power supply. The drip loop is the part of the cable below the level of the power supply. It prevents water travelling down the cable and coming into contact with the power supply. If the plug or the socket does get wet, do not unplug the appliance. Disconnect the fuse or circuit breaker that supplies the power to the appliance, then unplug and examine for presence of water in the socket.

5. Always unplug the appliance from the electrical outlet when not in use, before putting on or taking off parts, before any type of maintenance or cleaning.

6. Never yank the cable to pull it from the socket. Pull the plug carefully to disconnect.

7. Do not use the appliance for reasons other than the intended use. The use of attachments that are not recommended or sold by the manufacturer may cause the product to be unsafe. This is not recommended.

8. Do not install or store the appliance where it will be exposed to weather or temperatures below freezing.

9. Make sure any component mounted on a tank is securely installed before operating it.

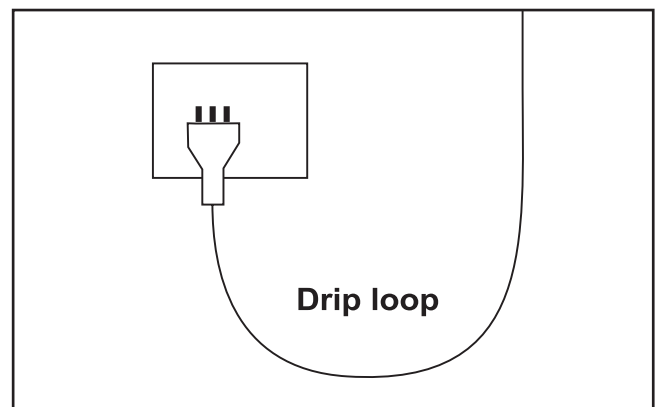
10. Ensure input voltage is the same voltage as your local power supply.

11. If an extension cable is used it should have the proper rating. Care should be taken to arrange the cord so that it will not be tripped or pulled.

12. A G.F.C.I (Ground fault circuit interrupter) & surge protector is recommended for all electrical appliances.

13. Ensure your hands are dry when turning the power switch on/off and when inserting/removing the power cable from the socket.

14. If you are in any doubt about the electrical installation or safety of this product you must consult a qualified electrician.



For Guarantee Conditions, please refer to the Guarantee form that is enclosed with this product.

All products are supplied with fitted plugs. This plug should not be tampered with in any way or removed. Removal or tampering with the plug invalidates our guarantee offered with this product.

For UK a 3 pin adaptor is supplied with the product and this must be used.

Before First Use / Preparation

Read and follow all the instructions, even if you feel you are familiar with the product and find a place to keep the instructions handy for future reference. Your attention is drawn particularly to the sections concerning **“IMPORTANT SAFEGUARDS”** and the **“GUARANTEE CONDITIONS”**. Please ensure you retain your original purchase receipt in the event that guarantee service is required.

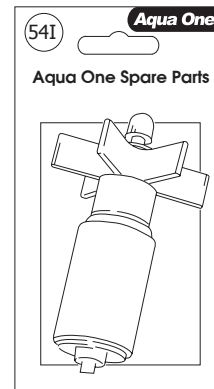
Carefully unpack the product making sure you keep all the packing material until all the parts of the product have been found and the product has been assembled.

This product is shipped to you in a factory sealed carton. Should the product malfunction in any way or if the unit is damaged and requires replacement, contact the retailer where the product was purchased for inspection.

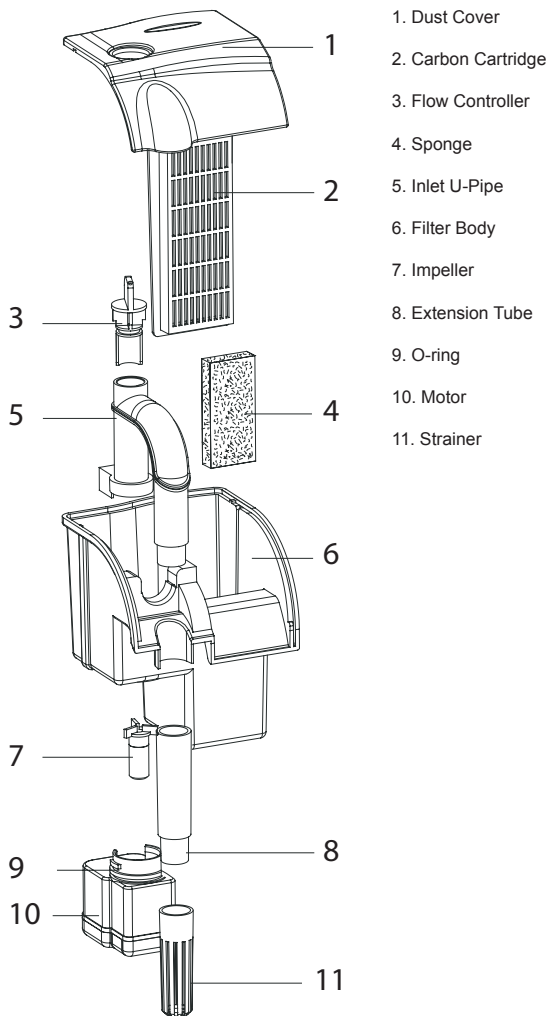
Replacement Parts & Filter Media

Use Aqua One Genuine Spare Parts Only. See your local Aqua One Dealer and look for the number listed below for the spare part you require. Alternatively you will find these numbers on the silver label located on the product.

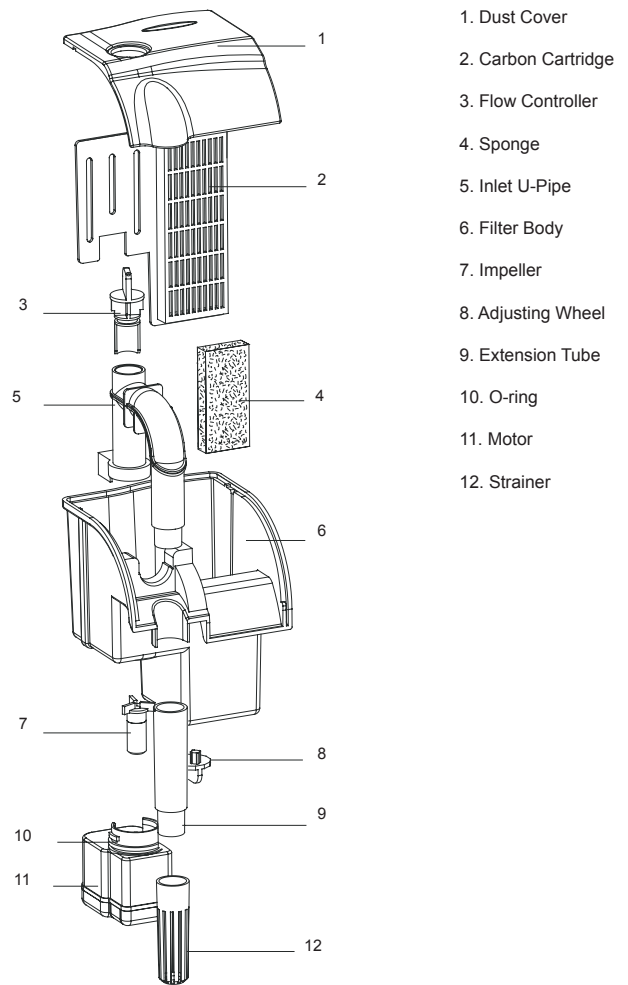
CV 75 Black Sponge	90s
CV 75 Carbon Cartridge	90c
CV 75 Impeller	90i
CV 100 Black Sponge	54s
CV 100 Carbon Cartridge	54c
CV 100 Impeller	54i
CV 200 Carbon Cartridge	46c
CV 200 Impeller	46i
CV 280 Carbon Cartridge	55c
CV 280 Impeller	55i
CV 300 Carbon Cartridge	47c
CV 300 Impeller	47i
CV 500 Carbon Cartridge	48c
CV 500 Impeller	48i
CV 800 Carbon Cartridge	49c
CV 800 Impeller	49i



Know Your Filter 75 / 100

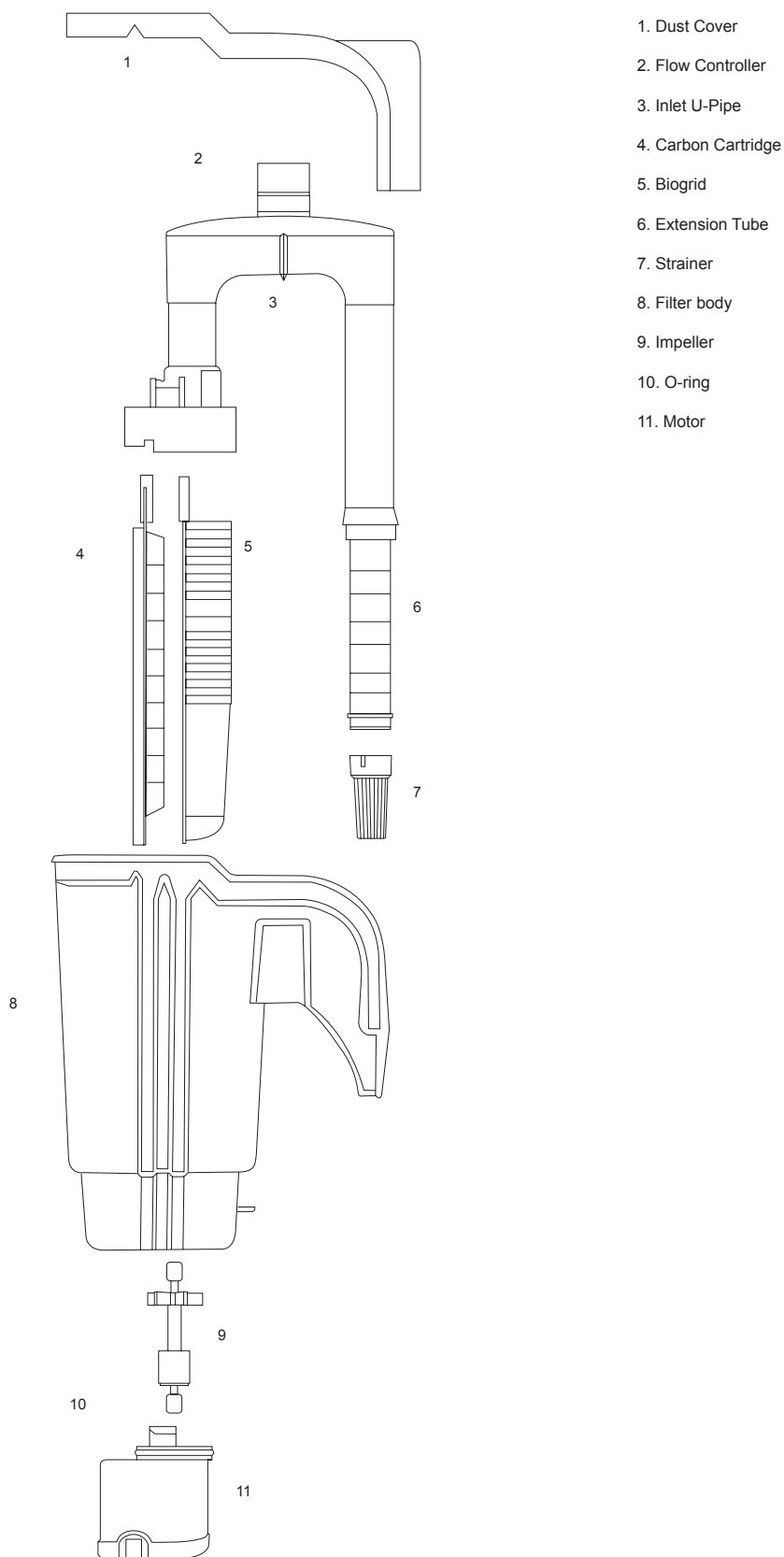


Clearview 75



Clearview 100

Know Your Filter 200-800



Clearview 200, 300, 500, 800

Installation

Clearview 75-100

1. Remove the filter lid to access the filter body.
2. Place the inlet u-pipe into position. The longer side of the pipe sits on the outside of the filter body. The shorter side locks into the impeller housing.
3. The extension tube then connects to the inlet u-pipe. The strainer then attaches to the extension tube. The strainer and extension tube is the part that sits in the water of the aquarium.
4. Wash the carbon cartridge in tap water before use. **DO NOT USE DETERGENT OR SOAP.** The carbon cartridge slides into the furthest grooves with the wool facing the rear of the filter.
(refer to the Diagram on the previous page)
5. The sponge slides in between the cartridge and the front of the filter.
6. Push the adjusting wheel into the bottom of the filter body. This is used to keep the whole filter level from top to bottom, otherwise the filter will slant away at the top and may overflow if the filter cartridge becomes blocked.
7. Hang the filter off the back wall of the aquarium with the extension tube and strainer inside the aquarium water.
8. Fill the filter body with aquarium water until it overflows back into the aquarium. Turn on at the power supply. It may take a little while to start as it expels the air from the impeller.
9. Adjust the flow with the knob on the top of the inlet u-pipe. It is better to leave at full flow but if this current is too strong, turn down slightly.
10. Place the lid back on the filter body.

Clearview 200-800

1. Remove the filter dust cover to access the filter body.
2. Place the inlet u-pipe into position. The longer side of the pipe sits on the outside of the filter body. The shorter side locks into the impeller housing.
3. Extend the extension tube from the longer side of the inlet u-pipe.
4. The strainer then attaches to the extension tube.
5. Wash the carbon cartridge in tap water before use. **DO NOT USE DETERGENT OR SOAP.** The carbon cartridge slides into the furthest grooves with the wool facing the rear of the filter. (refer to the Diagram on the previous page)
6. The biogrid slides in between the cartridge and the front of the filter.
7. Hang the filter off the back wall of the aquarium with the extension tube and strainer inside the aquarium water.
8. Fill the filter body with aquarium water until it overflows back into the aquarium.
9. Turn on at the power supply. It may take a little while to start as it expels the air from the impeller.
10. Adjust the flow with the knob on the top of the inlet u-pipe. It is better to leave at full flow but if this current is too strong, turn down slightly.
11. Place the dust cover back on the filter body.

Maintenance

1 - 2 WEEKS

1. Turn off at the power supply.
2. Remove the dust cover. Slide the carbon cartridge out of the filter. Allow excess water to run off. Rinse the cartridge under a high powered tap to remove the trapped dirt.
3. Tip out dirty water from the filter body. Refill the filter with aquarium water. Put carbon cartridge back into position. Turn on at the power supply.

It is important that the sponge/biogrid is not cleaned or removed. If it starts to become extremely dirty, just give them a gentle rinse in a bucket of aquarium water, then put it back in position.

6 - 8 WEEKS

1. Turn off at the power supply.
2. Remove entire filter from the back of the aquarium and take to the sink.
3. Throw away the carbon cartridge and replace with a new one. Wash the new cartridge in tap water before use.
4. Remove the entire inlet u-pipe. Grasp the motor and twist anti clockwise, then gently pull down to completely remove it from the filter body.
5. Remove the impeller from the motor and wash. Use a double ended pipe brush and clean the impeller well. (Where the impeller sits).
6. Use an aquarium safe silicon lubricant and apply to the O-ring seals around the motor.

This will allow easy removal of the motor for the next service and provide a better water seal.

7. Put the impeller back in place then reconnect the motor to the filter body.

8. Clean the inlet u-pipe and extension tube with a double ended pipe brush then put back in place.

9. Hang the filter back in place and refill the filter with aquarium water. Turn filter on at power supply.

DO NOT CLEAN THE SPONGE/BIOGRID.

Specifications

Model: Clearview 75
Maximum Flow Rate: 190L/hr
Max Aquarium Volume: 30L
Power Requirements: 220 – 240V AC
Power Consumption: 2.5W
Suitable: Cold water, Tropical, Marine

Model: Clearview 300
Maximum Flow Rate: 300L/hr
Max Aquarium Volume: 80L
Power Requirements: 220 – 240V AC
Power Consumption: 5.2W
Suitable: Cold water, Tropical, Marine

Model: Clearview 100
Maximum Flow Rate: 180L/hr
Max Aquarium Volume: 40L
Power Requirements: 220 – 240V AC
Power Consumption: 3W
Suitable: Cold water, Tropical, Marine

Model: Clearview 500
Maximum Flow Rate: 500L/hr
Max Aquarium Volume: 120L
Power Requirements: 220 – 240V AC
Power Consumption: 5.8W
Suitable: Cold water, Tropical, Marine

Model: Clearview 200
Maximum Flow Rate: 200L/hr
Max Aquarium Volume: 60L
Power Requirements: 220 – 240V AC
Power Consumption: 3.5W
Suitable: Cold water, Tropical, Marine

Model: Clearview 800
Maximum Flow Rate: 800L/hr
Max Aquarium Volume: 200L
Power Requirements: 220 – 240V AC
Power Consumption: 9W
Suitable: Cold water, Tropical, Marine

Model: Clearview 280
Maximum Flow Rate: 280L/hr
Max Aquarium Volume: 80L
Power Requirements: 220 – 240V AC
Power Consumption: 4W
Suitable: Cold water, Tropical, Marine

Correct Disposal of this product



This marking indicates that this product should not be disposed with other household waste throughout the EU. To prevent harm to the environment or human health from uncontrolled waste disposal, recycle it responsibly to promote the sustainable reuse of material resources. To return your used device, please use the return and collection systems or contact the retailer where the product was purchased. They can take this product for environmental safe recycling.

Aqua One - Guarantee 2 + 1 Year

The additional 1 Year **Extended Guarantee** applies when you REGISTER online with Aqua One. Register your Extended Guarantee at www.aquaone.com.au

About this Guarantee

The Manufacturer or Distributor, of Aqua One goods, is collectively known herein as "Aqua One". Please refer to contact details for Aqua One below or on the applicable Aqua One website. Any product that is covered by its own Guarantee (as enclosed with the product) is subject to the conditions of that Guarantee.

Australian Guarantee

Important note: This guarantee applies in addition to the guarantees, rights and remedies conferred by the Australian Consumer Law and other applicable Commonwealth, State and Territory legislation. The guarantee does not exclude, affect or limit those guarantees, rights or remedies, except to the extent that their application may lawfully be excluded or limited.

In particular, our goods come with guarantees that cannot be excluded under the Australian Consumer Law. You are entitled to a replacement or refund for a major failure and for compensation for any other reasonably foreseeable loss or damage. You are also entitled to have the goods repaired or replaced if the goods fail to be of acceptable quality and the failure does not amount to a major failure.

International Guarantee

The benefits given to the purchaser, under Guarantee, are in addition to all other statutory rights and remedies which the purchaser has in respect of goods under legislation in the applicable country of purchase. This Guarantee shall not affect any such rights and should be read subject to such legislation.

1.0. Terms and Conditions of Guarantee.

- 1.1. Aqua One warrants to the purchaser, for 2 years from date of original purchase, to repair or replace goods where fault is found due to defective materials or faulty workmanship and where goods do not operate in accordance with the instructions.
- 1.2. All claims for repair or replacement must be made at place of purchase.
- 1.3. The original and dated Proof of Purchase (receipt) must be supplied with all goods claims. Please also provide this Guarantee where possible.
- 1.4. The Guarantee covers the Aquarium against gluing breakdown resulting in leakage.
- 1.5. All goods subject to claim under Guarantee should be prepared for transportation in the original packaging or other comparable packaging which offers the same degree of protection.
- 1.6. Where goods are repaired or replaced under Guarantee, these goods are Guaranteed for the remainder of either the original Guarantee or Extended Guarantee period.
- 1.7. Where claims on inspection reveal goods are in normal working order, Aqua One will request reimbursement of all reasonable costs incurred.

2.0. Other Terms and Conditions – Extended Guarantee

- 2.1. The Extended Guarantee period is for an additional 1 Year and commences on expiration of the standard guarantee period.
- 2.2. Application for Extended Guarantee is FREE of any registration cost to the purchaser on completion of the Extended Guarantee questionnaire which is found on the applicable Aqua One website (refer below).
- 2.3. Upon receipt and acceptance of the questionnaire, Aqua One will forward (by way of email) a Certificate of Extended Guarantee to the purchaser.
- 2.4. For more information on how we collect, hold, use and disclose personal information provided to us, please refer to our Privacy Statement on the Aqua One websites or write to our Privacy Officer, in your country of purchase.
- 2.5. Where Aqua One determines goods are being used in a manner contrary to the instructions, specifications or this Guarantee, Aqua One reserves the right to terminate Extended Guarantee for such goods and will provide written notice to the purchaser.

3.0. Exclusions and Limitations

Where permitted by local law, the following exclusions and limitations apply in regard to Guarantee:

- 3.1. Goods claims where fault is due to, but not limited by a) misuse b) neglect c) abuse d) fire or flood e) normal wear and tear f) accidental breakage g) Acts of God h) mains voltage fluctuation or supply problems i) connection to any voltage other than what is stated on the rating plate j) modification or tampering to electrical cord or plug, k) vermin, insects or foreign object l) liquid spillage or submersion of goods not designed to sustain such use or duress.
 - 3.2. Where inspections reveal goods are in normal working order including where noise or vibration is consistent with normal goods operation.
 - 3.3. Attempted repairs or modifications by unauthorised persons, including but not limited to the drilling of holes in the aquarium glass by unauthorised persons.
 - 3.4. Where the goods factory rating plate has been removed, altered, damaged or is rendered illegible.
 - 3.5. Where goods are not installed, operated or maintained in accordance with Aqua One's goods instructions, specifications or this Guarantee.
 - 3.6. Replacement or repair of worn consumables or replacement of lost goods, parts or components.
 - 3.7. Costs associated with goods transportation, removal, installation, postage or cost of insurance.
 - 3.8. Any damage incurred whilst installing, transporting or moving the goods.
 - 3.9. Subject to certain local statutory rights and obligations to the contrary, and this guarantee shall not affect those rights or obligations, where, to the full extent permitted by law: 1. all express and implied warranties and conditions under statute or general law, are expressly excluded and Aqua One, where permitted, will limit liability as follows and at Aqua One's option to: in regard to goods either a) the replacement of goods or supply of equivalent goods b) the repair of goods or the cost of replacing the goods or of acquiring equivalent goods OR in regard to services either c) the re-supply of services d) the cost to re-supply services.
2. Aqua One will not be liable for any loss or damage, including consequential loss or damage either directly or indirectly, or for any incidental expenses, of any kind, and in any way whatsoever.

The additional 1 Year Extended Guarantee applies when you REGISTER online with Aqua One. Register your Extended Guarantee at www.aquaone.com.au

(1) Consumables include items such as replacement light tubes.

Aqua One may be contacted in:
Australia
Kong's (Aust.) Pty. Limited
PO Box 863, Ingleburn
1890 NSW Australia
www.aquaone.com.au



Manufactured in China.
Designed in Australia by Aqua One.
Aqua One and *Aqua One Inspiring
Excellence in Fish Care!* are registered
trademarks or trademarks.

www.aquaone.com.au