

Dial-a-Diet



Aqua One[®]

Inspiring Excellence in Fish Keeping!

Digital Auto Feeder



Instruction version: 28/08/2013

www.aquaone.com.au

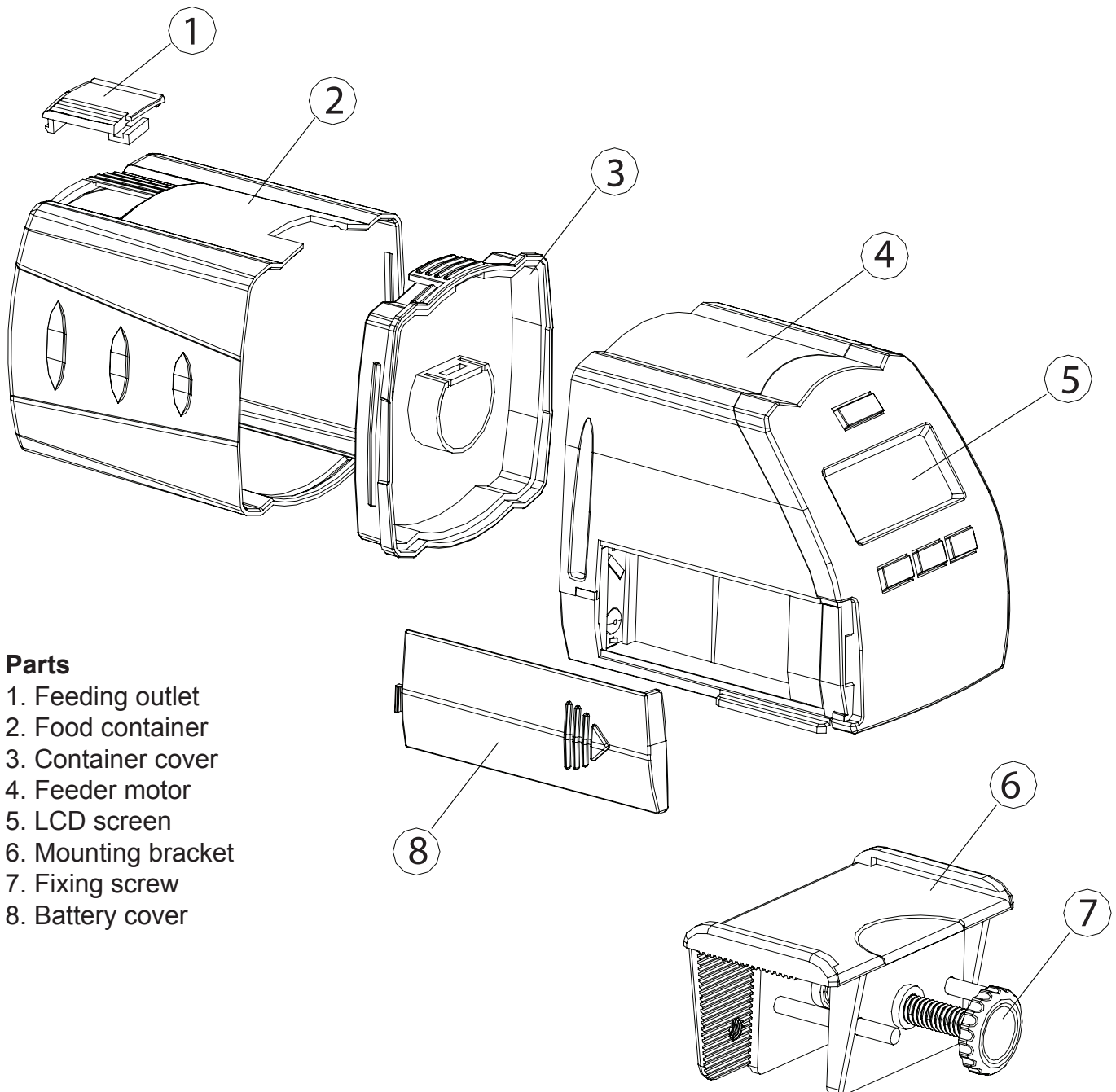
Before First Use / Preparation

Read and follow all the instructions, even if you feel you are familiar with the product and find a place to keep the instructions handy for future reference. Your attention is drawn particularly to the sections concerning **“IMPORTANT SAFEGUARDS”** and the **“GUARANTEE CONDITIONS”**. Please ensure you retain your original purchase receipt in the event that guarantee service is required.

Carefully unpack the product making sure you keep all the packing material until all the parts of the product have been found and the product has been assembled.

This product is shipped to you in a factory sealed carton. Should the product malfunction in any way or if the unit is damaged and requires replacement, contact the retailer where the product was purchased for inspection.

Know Your Feeder



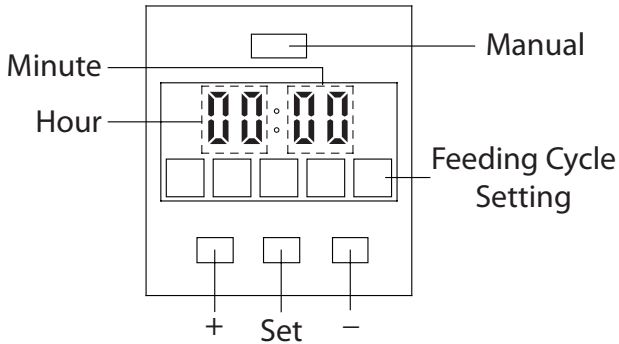
Parts

1. Feeding outlet
2. Food container
3. Container cover
4. Feeder motor
5. LCD screen
6. Mounting bracket
7. Fixing screw
8. Battery cover

Operating Instructions

Tips

1. Remove the battery cover and insert 2 AA batteries (not supplied).
2. Press the Manual button to ensure the feeder operates correctly. Pressing the Manual button will rotate once. Replace the battery cover.



3. Mount the feeder on the side of your aquarium by first sliding the mounting bracket onto the feeder motor and then placing the feeder on the side of the aquarium and securing the fixing screw so that the feeder is firmly attached.

4. Press and hold the Set button for 3 seconds. The hour display will start flashing. Set the time by pressing the "+" and "-" buttons to adjust the hour (using 24 hour time) and then pressing Set to switch to minutes.

5. Press Set again to move to the first feeding time. The hour display will start to flash again as well as the first feeding cycle box. Set the feeding time the same way as the clock was set - pressing set to move from hour to minute.

6. Press set again and only the feeding cycle box will flash by pressing "+" or "-", the number of rotations per feed can be set. This allows different quantities to be fed at different times. When the box is empty, the feeding time will not be used. This is to allow any number of feeding times between 1-5 to be used per day with up to 3 serves per feed.

7. Press Set again to move to the 2nd feeding time and repeat the process.

8. Remove the feeder from the mounting bracket by sliding it forwards (in the direction of the screen). Remove the food container and open the container cover. Fill the feeder with the food you wish to use. Re-assemble the feeder and place it back on the mounting bracket.

9. Adjust the feeding outlet to set the quantity of food that will be fed for each rotation of the feeder. Pressing the Manual button will allow you to check the quantity is correct.

1. Use dry food only.
2. Keep the feeder away from splash/spray caused by airstones or filter outlets. Water will cause foods to clump and may prevent food from exiting the feeder.
3. Avoid high temperatures, they may cause feeder to malfunction.
4. Maintain the food level between Max and Min Level.
5. Should the feeder malfunction or batteries fail, Aqua One can not and will not be held accountable. Use of the feeder is at your own risk. Replace batteries if the LCD screen begins to fade or feeder rotates more slowly than usual.
5. Do not allow the unit to be submerged in water or become wet.
6. No loss of livestock can be claimed against the manufacturer for improper use.

Aqua One - Guarantee 1 Year

About this Guarantee

The Manufacturer or Distributor, of Aqua One goods, is collectively known herein as "Aqua One". Please refer to contact details for Aqua One below or on the applicable Aqua One website. Any product that is covered by its own Guarantee (as enclosed with the product) is subject to the conditions of that Guarantee.

The benefits given to the purchaser, under Guarantee, are in addition to all other statutory rights and remedies which the purchaser has in respect of goods under legislation in the applicable country of purchase. This Guarantee shall not affect any such rights and should be read subject to such legislation.

1.0. Terms and Conditions of Guarantee.

1.1. Aqua One warrants to the purchaser, for 1 Year from date of original purchase, to repair or replace goods where fault is found due to defective materials or faulty workmanship and where goods do not operate in accordance with the instructions.

1.2. All claims for repair or replacement must be made at place of purchase.

1.3. The original and dated Proof of Purchase (receipt) must be supplied with all goods claims. Please also provide this Guarantee where possible.

1.4. The Guarantee covers the Aquarium against gluing breakdown resulting in leakage.

1.5. All goods subject to claim under Guarantee should be prepared for transportation in the original packaging or other comparable packaging which offers the same degree of protection.

1.6. Where goods are repaired or replaced under Guarantee, these goods are Guaranteed for the remainder of either the original Guarantee or Extended Guarantee period.

1.7. Where claims on inspection reveal goods are in normal working order, Aqua One will request reimbursement of all reasonable costs incurred.

2.0. Exclusions and Limitations

Where permitted by local law, the following exclusions and limitations apply in regard to Guarantee:

2.1. Goods claims where fault is due to, but not limited by a) misuse b) neglect c) abuse d) fire or flood e) normal wear and tear f) accidental breakage g) Acts of God h) mains voltage fluctuation or supply problems i) connection to any voltage other than what is stated on the rating plate j) modification or tampering to electrical cord or plug, k) vermin, insects or foreign object l) liquid spillage or submersion of goods not designed to sustain such use or duress.

2.2. Where inspections reveal goods are in normal working order including where noise or vibration is consistent with normal goods operation.

2.3. Attempted repairs or modifications by unauthorised persons, including but not limited to the drilling of holes in the aquarium glass by unauthorised persons.

2.4. Where the goods factory rating plate has been removed, altered, damaged or is rendered illegible.

2.5. Where goods are not installed, operated or maintained in accordance with Aqua One's goods instructions, specifications or this Guarantee.

2.6. Replacement or repair of worn consumables or replacement of lost goods, parts or components.

2.7. Costs associated with goods transportation, removal, installation, postage or cost of insurance.

2.8. Any damage incurred whilst installing, transporting or moving the goods.

2.9. Subject to certain local statutory rights and obligations to the contrary, and this guarantee shall not affect those rights or obligations, where, to the full extent permitted by law: 1. all express and implied warranties and conditions under statute or general law, are expressly excluded and Aqua One, where permitted, will limit liability as follows and at Aqua One's option to: in regard to goods either a) the replacement of goods or supply of equivalent goods b) the repair of goods or the cost of replacing the goods or of acquiring equivalent goods OR in regard to services either c) the re-supply of services d) the cost to re-supply services.

2. Aqua One will not be liable for any loss or damage, including consequential loss or damage either directly or indirectly, or for any incidental expenses, of any kind, and in any way whatsoever.

(1) Consumables include items such as filter media/cartridges, impellers and shafts.

Aqua One may be contacted in: Australia Kong's (Aust.) Pty. Limited PO Box 863, Ingleburn 1890 NSW Australia www.aquaone.com.au
--



www.aquaone.com.au

® Aqua One is a registered trademark.